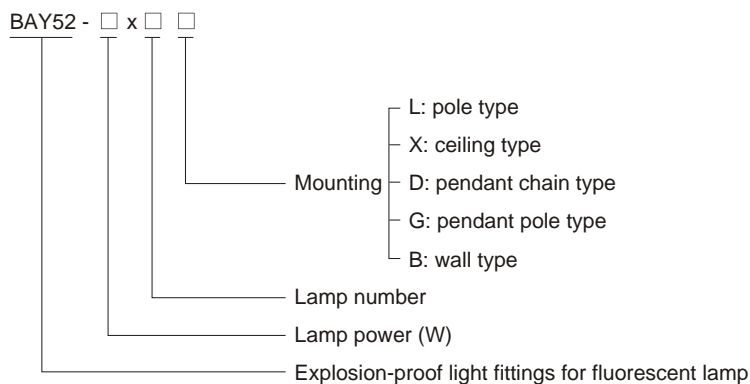




Light Fittings for Fluorescent Lamp BAY52 Series Explosion-proof Light Fittings for Fluorescent Lamp

- ◆ Explosion protection to
 - CENELEC
 - IEC
- ◆ Can be used in
 - Zone 1 and Zone 2
- ◆ Available lamp power: 18W x 1, 36W x 1, 18W x 2, 36W x 2.
- ◆ Enclosure in copper-free aluminium, powder coated external surface, yellow (RAL1021).

Catalogue number logic



Selection table

Type/Ordering code	Lamp power (W)	Weight (kg)	Type/Ordering code	Lamp power (W)	Weight (kg)
BAY52-18 x 1X	18 x 1	3.90	BAY52-18 x 2X	18 x 2	7.60
BAY52-18 x 1L	18 x 1	4.00	BAY52-18 x 2L	18 x 2	7.30
BAY52-18 x 1D	18 x 1	4.20	BAY52-18 x 2G	18 x 2	7.90
BAY52-18 x 1G	18 x 1	4.20	BAY52-18 x 2B	18 x 2	8.50
BAY52-36 x 1X	36 x 1	4.80	BAY52-36 x 2X	36 x 2	12.00
BAY52-36 x 1L	36 x 1	5.00	BAY52-36 x 2L	36 x 2	11.70
BAY52-36 x 1D	36 x 1	5.10	BAY52-36 x 2G	36 x 2	12.50
BAY52-36 x 1G	36 x 1	5.10	BAY52-36 x 2B	36 x 2	12.40

Note: 1. Products above include all the mounting accessories listed in Mounting Accessories & Spare Parts Table (see P2/18~19).
2. Wall type is applicable for dual-lamp light fitting only.
3. Pendant chain type is applicable for single-lamp light fitting only.



Zones 1&2

Light Fittings for Fluorescent Lamp

BAY52 Series Explosion-proof Light Fittings for Fluorescent Lamp

Technical data

Explosion-proof light fittings for fluorescent lamp BAY52□-□□

Explosion protection

Gas explosion protection

II 2 G Ex d IIC T6 Gb

Certificates

For gas explosion protection

PCEC (China)

Conformity to standards

IEC 60079-0: 2007, IEC 60079-1: 2007

Material

Enclosure

Copper-free aluminium, powder coated external surface, yellow (RAL1021)

Ballast

Choke ballast (Electronic ballast is optional)

Exposed fastener

Stainless steel

Lamp

Lamp brand

PHILIPS T8 (supplied with the light fittings)

Lamp power (W)

18W x 1	18W x 2
36W x 1	36W x 2

Rated voltage

Choke ballast

220~240V AC 50Hz (60Hz is optional)

Electronic ballast (optional)

220~240V AC 50/60Hz

Earthing protection

M5 (internal & external earth bolts)

Degree of protection

IP65

Ambient temperature

-20°C ~ +55°C

Terminal

3 x 1.5~2.5mm² (L+N+PE)

Cable entries

1 x G 3/4" (1 x M25 x 1.5 for pole type dual-lamp light fittings; M25 x 1.5 or M20 x 1.5 with reducer on request)

Cable gland

See Mounting Accessories and Spare Parts Table

Available cable outer diameter

Φ 10 ~ Φ 14 (mm)



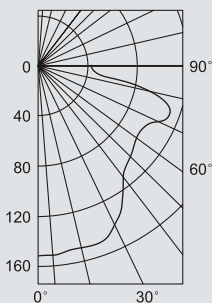
Photometric data

36W x 1 photometric data

Rated luminous flux: 2500lm;

The data from PHILIPS lamp;

Luminous intensity distribution cd/1000lm



Angle	CP	Angle	CP
0	335	50	222
5	334	55	219
10	330	60	229
15	331	65	254
20	325	70	264
25	304	75	237
30	277	80	143
35	249	85	95
40	236	90	84
45	230		

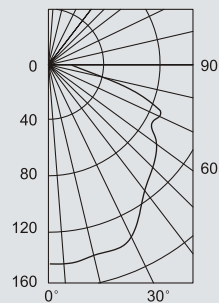
18W x 1 fluorescent lamp*0.5

36W x 2 photometric data

Rated luminous flux: 5000lm;

The data from PHILIPS lamp;

Luminous intensity distribution cd/1000lm



Angle	CP	Angle	CP
0	726	50	505
5	723	55	480
10	714	60	438
15	717	65	438
20	719	70	382
25	683	75	260
30	649	80	160
35	601	85	107
40	555	90	63
45	529		

18W x 2 fluorescent lamp*0.5

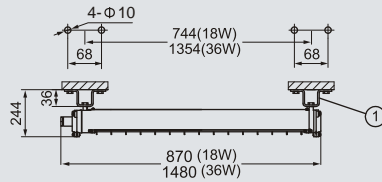
We can provide lighting design and data by professional lighting software DIALUX based upon simulated site situation on request.

Light Fittings for Fluorescent Lamp BAY52 Series Explosion-proof Light Fittings for Fluorescent Lamp

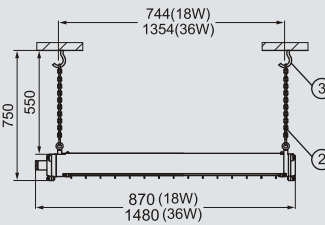
Mounting type for light fittings with single lamp tube (all dimensions in mm) - subject to alteration

Installation reference

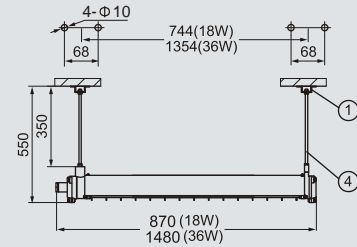
X: ceiling type



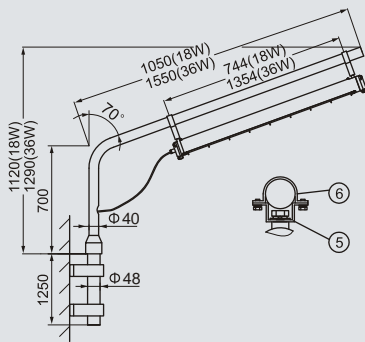
D: pendant chain type



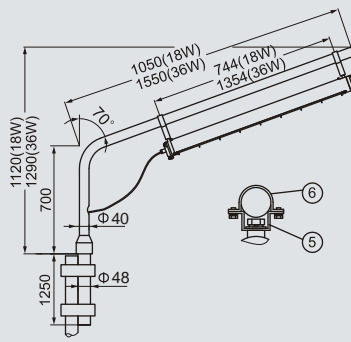
G: pendant pole type



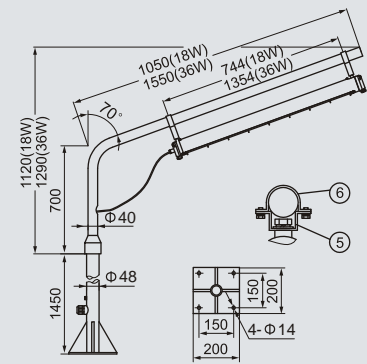
L: pole type (the pole is provided by user)



Suitable for wall pole type



Suitable for fence pole type



Suitable for ground pole type

Mounting accessories and spare parts table (light fittings with single lamp tube)

Supplied according to the mounting type

Mounting type	Accessories			Ordering code	Weight (kg)
	Name	Qty	Illustration		
X: ceiling type	①.Mounting bracket	2		51S01G1	0.04
	②.Chain	2	Length: 450mm	5136016	0.08
D: pendant chain type	③.Hook expansion bolt	2		52017	0.03
	①.Mounting bracket	2	Same as ceiling type	51S01G1	0.04
G: pendant pole type	④.M8 Screw	2	Length: 350mm	51S01G2	0.12
	⑤.Mounting bracket	2		5136012	0.04
L: pole type	⑥.G1 1/4" Pipe clamp	2		5136014	0.04

Note: Accessories not in the table shall be supplied by user.

Light Fittings for Fluorescent Lamp BAY52 Series Explosion-proof Light Fittings for Fluorescent Lamp

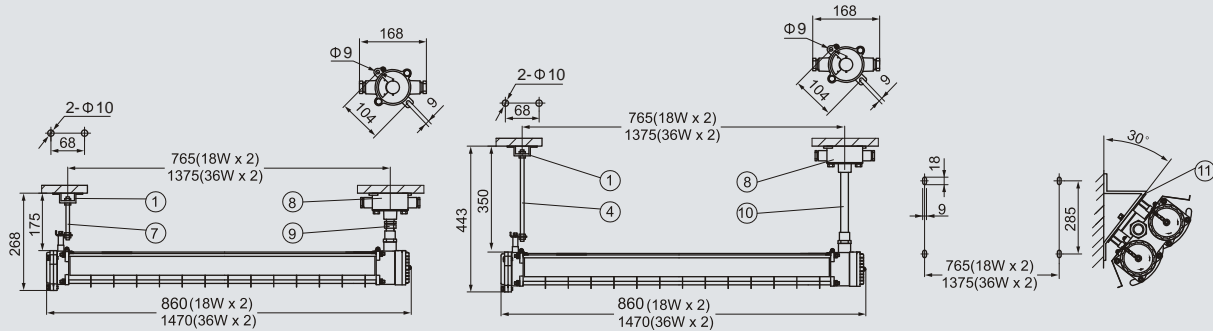
Mounting type for light fittings with dual lamp tube (all dimensions in mm) - subject to alteration

Installation reference

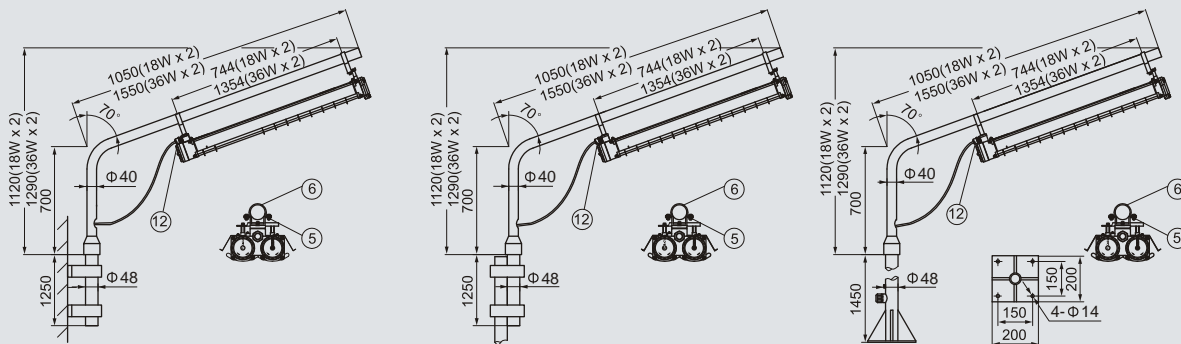
X: ceiling type

G: pendant pole type

B: wall type



L: pole type (the pole is provided by user)



Suitable for wall pole type

Suitable for fence pole type

Suitable for ground pole type



Mounting accessories and spare parts table (light fittings with dual lamp tube)

Supplied according to the mounting type

Mounting type	Accessories			Ordering code	Weight (kg)
	Name	Qty	Illustration		
X: ceiling type	①.Mounting bracket	1	Same as light fittings with single lamp	51S01G1	0.04
	⑦.M8 Screw	1	Length:150mm	52D01X1	0.08
	⑧.BHD51 Explosion-proof junction box	1	G3/4" (Ex e)	52D01X2	0.40
	⑨.BGJ-III Explosion-proof connector	1	G3/4" (M)/G3/4" (M)	See P7/8	0.28
G: pendant pole type	①.Mounting bracket	1	Same as light fittings with single lamp	51S01G1	0.04
	④.M8 Screw	1	Length: 350mm	51S01G2	0.12
	⑧.BHD51 Explosion-proof junction box	1	G3/4" (Ex e)	52D01X2	0.40
	⑩.Straight pipe (G3/4")	1	Length: 250mm	52D01G1	0.34
B: wall type	⑪.Wall bracket	2	Welded sheet steel	5236B01	0.60
L: pole type	⑤.Mounting bracket	2	Same as light fittings with single lamp	5136012	0.04
	⑥.G1 1/4" Pipe clamp	2	Same as light fittings with single lamp	5136014	0.04
	⑫.DQM-II Explosion-proof cable gland	1	M25 x 1.5	See P7/20	0.25

Note: Accessories not in the table shall be supplied by user.