

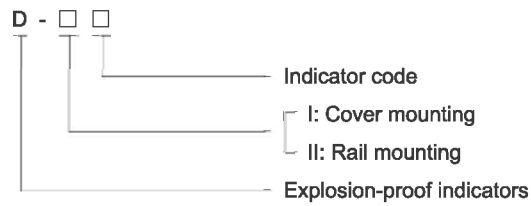


### Components for Control Stations BD8050 Series Explosion-proof Indicators

- ◆ Explosion protection to
  - CENELEC
  - IEC
  - NEC
- ◆ Can be used in
  - Zone 1 and Zone 2
  - Zone 21 and Zone 22
  - Class I, Zone 1 and Zone 2
  - Class I, Division 2, Groups A , B, C, D
- ◆ Available in
  - red
  - green
  - yellow
  - white
- ◆ Two mounting types
  - cover mounting
  - rail mounting


#### ■ Catalogue number logic

BD8050(D for short)



Zones 1&2; 21&22

Selection table

Type	Voltage	Schematic diagram	Colour	Code	Ordering code	Weight (kg)
Explosion-proof Indicator    I: Cover mounting    II: Rail mounting	Rated voltage: AC 230V...AC 415V Voltage range: -10%...+6% Frequency: 0Hz...60Hz		Red	Ra	40099A/40099B	0.05
			Green	Ga	40100A/40100B	
			Yellow	Ya	40101A/40101B	
			White	Wa	40102A/40102B	
	Rated voltage: AC/DC 48V...110V Voltage range: -10%...+6% Frequency: 0Hz...60Hz		Red	Rb	40103A/40103B	0.05
			Green	Gb	40104A/40104B	
			Yellow	Yb	40105A/40105B	
			White	Wb	40106A/40106B	
	Rated voltage: AC/DC 12V...36V Voltage range: -10%...+6% Frequency: 0Hz...60Hz		Red	Rc	40107A/40107B	0.05
			Green	Gc	40108A/40108B	
			Yellow	Yc	40109A/40109B	
			White	Wc	40110A/40110B	
Rated voltage: DC 220V, 380V Voltage range: -10%...+6%		Red	Rd	40111A/40111B	0.05	
		Green	Gd	40112A/40113B		
		Yellow	Yd	40113A/40113B		
		White	Wd	40114A/40114B		
Indicator cover  			Red	a	40115	0.05
			Green	b	40116	
			Yellow	c	40117	
			White	d	40118	

The last letter of ordering code: A-cover mounting; B-rail mounting.

#### Technical data

#### Explosion-proof indicators

#### BD8050

#### Explosion protection

Ex II 2 G Ex de IIC Gb

#### Certificates

LCIE 09 ATEX 3098U; IECEx CQM 11.0012U; FM (USA)

#### Conformity to standards

EN 60079-0:2009, EN 60079-1:2007, EN 60079-7:2007  
IEC 60079-0:2011, IEC 60079-1:2007, IEC 60079-7:2006

#### Rated voltage

12V...415V AC/DC (-10%...+6%)

#### Rated current

Max.15mA

#### Frequency

0Hz...60Hz

#### Rated output wattage

Max.1W

#### Service life

10<sup>5</sup> hours

#### Ambient temperature

-20°C~+60°C

#### Colour

Red, green, yellow, white

#### Lamp

LED

#### Enclosure material

Polyamide (PA66)

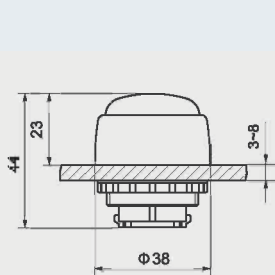
#### Terminal

Suitable for 2.5mm<sup>2</sup> cable

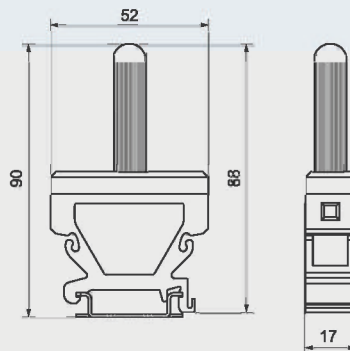
#### Indicator cover material

PC

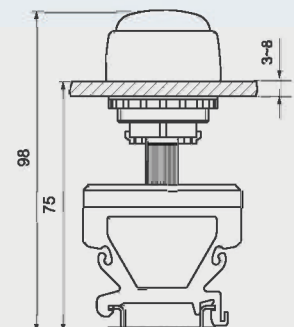
#### Dimension drawings (all dimensions in mm) - subject to alteration



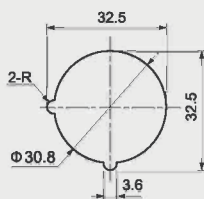
Indicator cover



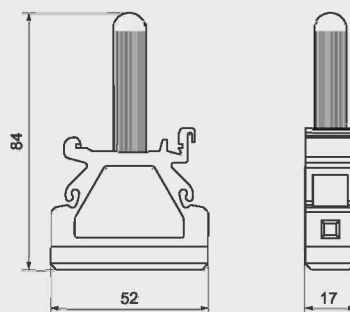
Explosion-proof indicator  
(rail mounting)



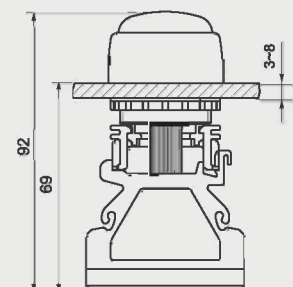
Rail mounting



Mounting hole



Explosion-proof indicator  
(cover mounting)



Cover mounting