

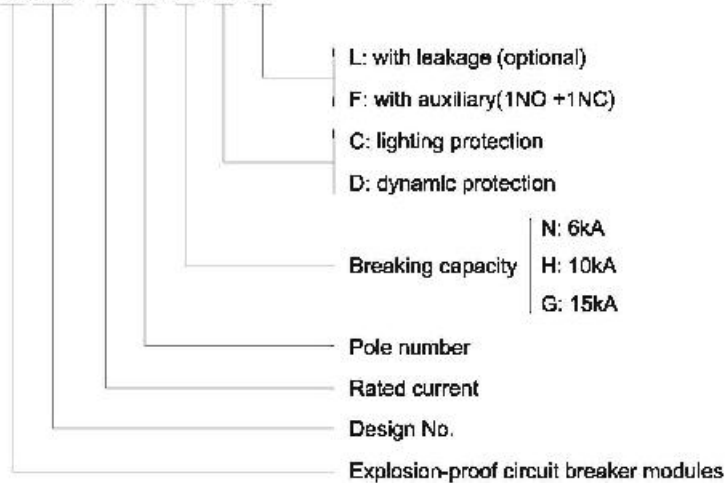


Components for Distribution Boxes BL8060 Series Explosion-proof Circuit Breaker Modules

- ◆ Explosion protection to
 - CENELEC
 - IEC
 - NEC
- ◆ Can be used in
 - Zone 1 and Zone 2
 - Zone 21 and Zone 22
 - Class I, Zone 1 and Zone 2
 - Class I, Division 2, Groups A, B, C, D
- ◆ Product of flame-proof structure; the cavity is of engineering plastic embedded with high strength metal frame structure; with strong corrosion-resistance capacity and reliable performance.
- ◆ Built-in Schneider IC65 series MCB, special operation mechanism internally designed, reliable overall operation.

Catalogue number logic

BL 8060 - □ / □ / □ / □ / □



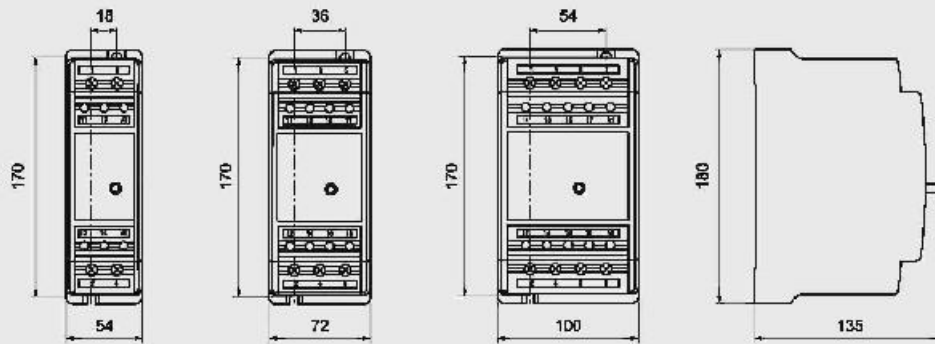
Zones 1&2; 21&22

Technical data

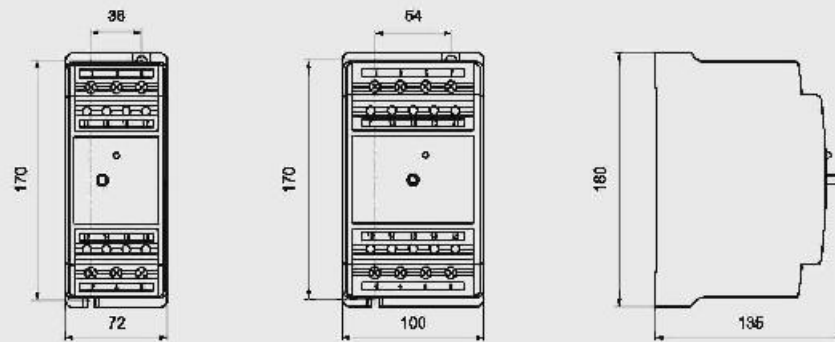
Explosion-proof circuit breaker modules BL8060 - □ / □ / □ / □ / □

Explosion protection	II 2 G Ex de IIC Gb					
Certificates	DNV 13 ATEX____; IECEX; PCEC (China)					
Conformity to standards	EN 60079-0:2009, EN 60079-1:2007, EN 60079-7:2007 IEC 60079-0:2011, IEC 60079-1:2007, IEC 60079-7:2006					
Enclosure material	GRP (glass fibre-reinforced polyester resin, embedded with metal frame)					
Rated voltage	Max.440V AC					
Rated current	1A, 2A, 4A, 6A, 10A, 16A, 20A, 25A, 32A, 40A, 50A, 63A					
Rated residual operating current	30mA, 300mA, 300mA _S $\text{\textcircled{S}}$:Under-voltage tripping(instant)					
Rated residual current characteristics	AC, A					
Mechanical life	20000 times					
Auxiliary contact	1NO+1NC(Indicating contact in OF state)					
Pole number	1P, 2P, 3P, 4P, 1PL, 2PL, 3PL, 4PL					
Ambient temperature	-20℃~+60℃					
Breaking capacity	Ph/Ph(2P,3P,4P)	12~133V	220~240V	380~415V	440V	Use breaking capacity
	Ph/N(1P,1P+N)	12~60V	100~133V	220~240V	-	
Rated current	1~4A	50kA	50kA	50kA	25kA	100%Icu
	6~63A	36kA	20kA	10kA	6kA	75%Icu

Dimension drawings (all dimensions in mm) - subject to alteration



BL8060-□/1/□/□/□
BL8060-□/1/□/□/□/□
BL8060-□/2/□/□/□
BL8060-□/2/□/□/□/□
BL8060-□/3/□/□/□
BL8060-□/3/□/□/□/□
BL8060-□/3/□/□/□/□
BL8060-□/4/□/□/□
BL8060-□/4/□/□/□/□
BL8060-□/4/□/□/□/□



BL8060-□/1/□/□/□/□
BL8060-□/2/□/□/□/□

