

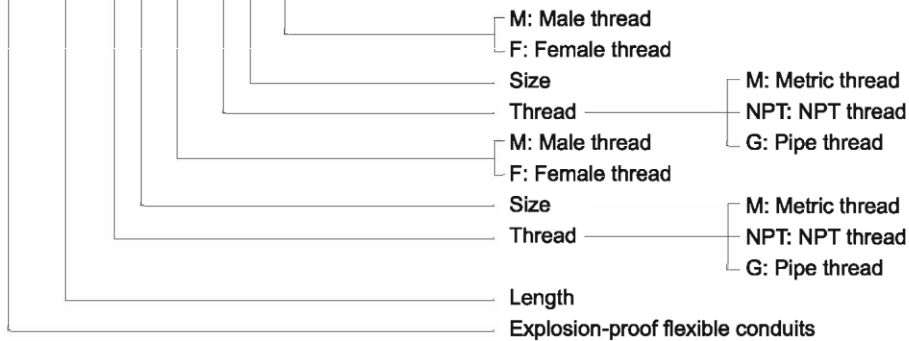
Flexible Conduits

BNG Series Rubber Explosion-proof Flexible Conduits

- ◆ Explosion protection to
 - CENELEC
 - IEC
 - NEC
- ◆ Can be used in
 - Zone 1 and Zone 2
 - Zone 21 and Zone 22
 - Class I, Zone 1 and Zone 2
 - Class I, Division 1, Groups A, B, C, D
- ◆ Ex d structure; rubber body; connectors at both ends in galvanized carbon steel.
- ◆ Application:
 - Widely used for flexible connection between explosion-proof boxes or explosion-proof light fittings and pipes
 - Protect cable from any damage
 - Corrosion-proof

Catalogue number logic

BNG - □ × □ □ (□) / □ □ (□)



Technical data

Rubber explosion-proof flexible conduits BNG-□ × □ □ (□) / □ □ (□)

Explosion protection

Gas explosion protection
Dust explosion protection

Ex II 2 G Ex d IIC Gb

Ex II 2 D Ex tD A21 IP66

Certificates

DNV 10 ATEX 87636U; IECEx CQM 11.0014U; POCC CN.Г Ё05.B03637(Russia)

Conformity to standards

EN 60079-0:2009, EN 60079-1:2007, EN 61241-0:2006, EN 61241-1:2004
IEC 60079-0:2007, IEC 60079-1:2007, IEC 61241-0:2004, IEC 61241-1:2004

Material

Rubber body; connectors at both ends in galvanized carbon steel

Degree of protection

IP66

Ambient temperature

-60°C~+55°C

Connection thread

Metric thread is standard type; G thread or NPT thread is optional

Type

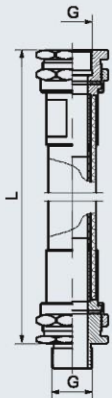
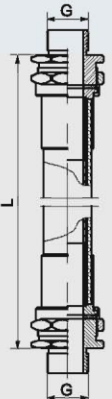
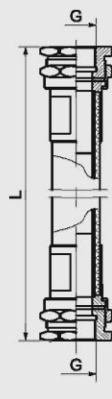
F/F, M/F or M/M

Note: M75, M90, M110 equivalent G thread and NPT thread can be customized.

Zones 1&2; 21&22

Flexible Conduits BNG Series Rubber Explosion-proof Flexible Conduits

Selection table

Versions	Internal nominal diameter (mm)	Pipe connector thread G	Length L (mm)	Minimum bending radius (mm)	Ordering code	Weight (kg)
 <p>BNG-□x□□(M)/□□(F)</p>	15	M20 x 1.5	700	80	711001	0.70
	15	M20 x 1.5	1000	80	711002	0.70
	20	M25 x 1.5	700	110	711003	1.00
	20	M25 x 1.5	1000	110	711004	1.25
	25	M32 x 1.5	700	145	711005	1.45
	25	M32 x 1.5	1000	145	711006	1.65
	32	M40 x 1.5	700	180	711007	1.95
	32	M40 x 1.5	1000	180	711008	2.20
	40	M50 x 1.5	700	210	711009	2.35
	40	M50 x 1.5	1000	210	711010	2.65
 <p>BNG-□x□□(M)/□□(M)</p>	50	M63 x 1.5	700	250	711011	4.35
	50	M63 x 1.5	1000	250	711012	4.80
	15	M20 x 1.5	700	80	711013	0.60
	15	M20 x 1.5	1000	80	711014	0.65
	20	M25 x 1.5	700	110	711015	0.95
	20	M25 x 1.5	1000	110	711016	1.15
	25	M32 x 1.5	700	145	711017	1.25
	25	M32 x 1.5	1000	145	711018	1.45
	32	M40 x 1.5	700	180	711019	1.65
	32	M40 x 1.5	1000	180	711020	1.90
 <p>BNG-□x□□(F)/□□(F)</p>	40	M50 x 1.5	700	210	711021	2.00
	40	M50 x 1.5	1000	210	711022	2.35
	50	M63 x 1.5	700	250	711023	4.00
	50	M63 x 1.5	1000	250	711024	4.50
	15	M20 x 1.5	700	80	711025	0.80
	15	M20 x 1.5	1000	80	711026	0.85
	20	M25 x 1.5	700	110	711027	1.15
	20	M25 x 1.5	1000	110	711028	1.40
	25	M32 x 1.5	700	145	711029	1.55
	25	M32 x 1.5	1000	145	711030	1.70
	32	M40 x 1.5	700	180	711031	2.35
	32	M40 x 1.5	1000	180	711032	2.40
	40	M50 x 1.5	700	210	711033	2.65
	40	M50 x 1.5	1000	210	711034	2.85
	50	M63 x 1.5	700	250	711035	4.55
	50	M63 x 1.5	1000	250	711036	5.00

