



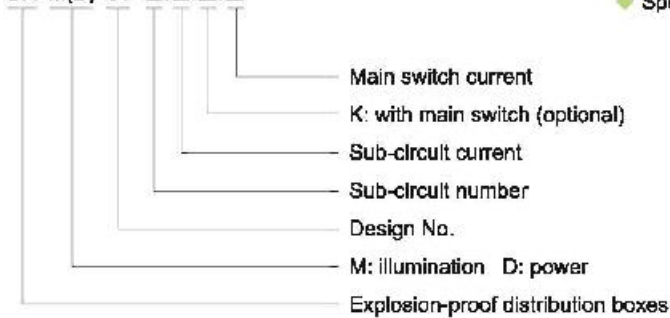
Distribution Boxes

BXM(D)51 Series Explosion-proof Illumination (Power) Distribution Boxes (Ex de IIB)

- ◆ Explosion protection to
 - CENELEC
 - IEC
 - NEC
- ◆ Can be used in
 - Zone 1 and Zone 2
 - Zone 21 and Zone 22
 - Class I, Zone 1 and Zone 2
 - Class I, Division 2, Groups C, D
- ◆ Enclosure for modular combination (Ex d & Ex e).
- ◆ Main switch and distribution switch are operated with external handle.
- ◆ Internal wiring to the terminal is finished.
- ◆ Weidmuller SAK EN series terminals.
- ◆ Entries plugged. Cable glands on request (see P7/17~19).
- ◆ Special requirements on request.

■ Catalogue number logic

BX M(D) 51- □/□/□/□



Zones 1&2; 21&22

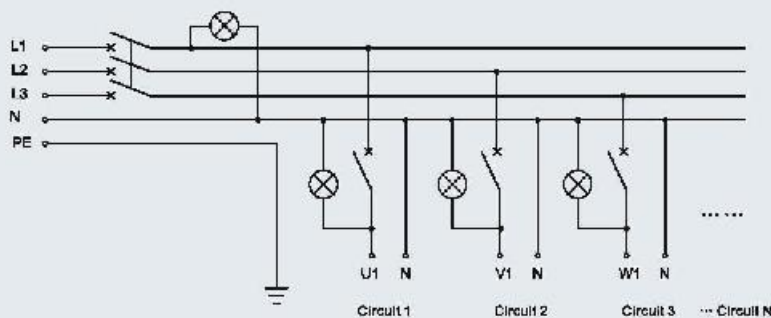
Technical data

Explosion-proof illumination distribution boxes BXM51-□/□/□/□

Explosion protection	
Gas explosion protection	⊕ II 2 G Ex de IIB T6
Dust explosion protection	Ex tD A21 T80°C IP65
Certificates	
For gas explosion protection	PTB 03 ATEX 1078; IECEx CQM 07. 0012
For dust explosion protection	PCEC (China)
Conformity to standards	EN 50014:1997+A1+A2, EN 50018:2000+A1, EN 50019:2000 IEC 60079-0:2004, IEC 60079-1:2003, IEC 60079-7:2001 IEC 61241-0:2004, IEC 61241-1:2004
General power supply	Rated voltage: max. 415V AC 50/60Hz; Rated current: max.100A
Sub circuit current	1A, 2A, 4A, 6A, 10A, 16A, 20A, 25A, 32A
Exposed fastener	Stainless steel
Enclosure	
Enclosure material	Copper-free aluminium; powder coated surface
Enclosure colour	Window grey (RAL7040)
Enclosure type	Modular combination (Ex d & Ex e); MCB, MCCB or other components in Ex d compartment, indicators and terminals in Ex e compartment.
Built-in components	
Main switch	MCB (mini circuit breaker) or MCCB (moulded case circuit breaker) Note: electric leakage protection on request
Sub-circuit switch	MCB (mini circuit breaker) Note: electric leakage protection on request
Terminal	Weidmuller SAK EN series
Indicator	Red
Degree of protection	IP65
Ambient temperature	-20°C~+55°C
Cable entries	Standard M□ x 1.5 plug (see the Selection Table on P6/4)
Cable gland (optional)	DQM-I (Ex e) is recommended. Please see P7/17~19
Entry direction	Bottom
Mounting	Surface type (standard) Pedestal type (optional)



Electrical schematic diagram



BXM51 series explosion-proof illumination distribution boxes