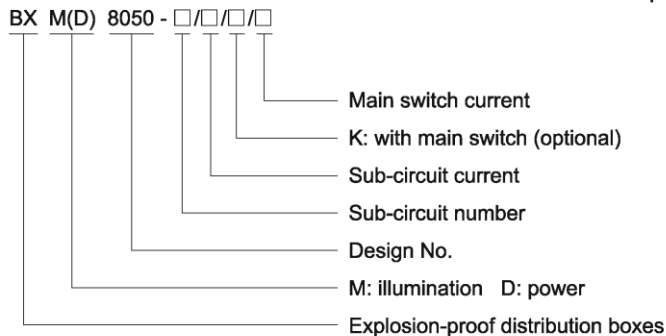


Distribution Boxes

BXM(D)8050 Series Explosion-proof Illumination (Power) Distribution Boxes (Ex de IIC)

- ◆ Explosion protection to
 - CENELEC
 - IEC
 - NEC
- ◆ Can be used in
 - Zone 1 and Zone 2
 - Zone 21 and Zone 22
 - Class I, Zone 1 and Zone 2
 - Class I, Division 2, Groups A, B, C, D
- ◆ Enclosure for modular combination (Ex e).
- ◆ Main switch and distribution switch are operated with external handle.
- ◆ Internal wiring to the terminal is finished.
- ◆ Weidmuller SAK EN series terminals.
- ◆ Entries plugged. Cable glands on request (see P7/16).
- ◆ Special requirements on request.

Catalogue number logic



Note

1. Please refer to the Selection Table on P6/27.
2. Please select internal components as below:
 - BL8060 Series explosion-proof circuit breaker modules on P6/28
 - BJL8060 Series explosion-proof AC contactor modules on P6/31
 - BRJ8060 Series explosion-proof thermal relay modules on P6/33
 - BSJ8060 Series explosion-proof time relay modules on P6/35
 - BZJ8060 Series explosion-proof middle relay modules on P6/37
 - BRT8060 Series explosion-proof fuse modules on P6/39
 - BDB8060 Series explosion-proof motor protection switch modules on P6/40
 - BLB8060 Series explosion-proof surge protector modules on P6/42
 - BDW8060 Series explosion-proof potentiometer modules on P6/44



Zones 1&2; 21&22

Distribution Boxes

BXM8050 Series Explosion-proof Illumination Distribution Boxes (Ex de IIC)

Technical data

Explosion-proof illumination distribution boxes

BXM8050-□/□/□/□

Explosion protection

Gas explosion protection

—
 Ex II 2 G Ex de IIC T6 Gb

Dust explosion protection

Ex II 2 D Ex tb IIIC T80°C Db IP66

Certificates

DNV 13 ATEX ____; IECEX; PCEC(China)

Conformity to standards

EN 60079-0:2009, EN 60079-1:2007, EN 60079-7:2007, EN 60079-31:2009
 IEC 60079-0:2011, IEC 60079-1:2007, IEC 60079-7:2006, IEC 60079-31:2008

General power supply

Rated voltage: Max. 690V AC 50/60Hz; Rated current: max.100A

Sub circuit current

1A, 2A, 4A, 6A, 10A, 16A, 20A, 25A, 32A

Exposed fastener

Stainless steel

Enclosure

Enclosure material

GRP (glass fibre-reinforced polyester resin)

Enclosure colour

Black

Enclosure type

Ex e

Built-in components

Main switch

BL8060 Please see P6/28

Note: electric leakage protection on request

Sub circuit switch

BL8060 Please see P6/28

Note: electric leakage protection on request

Terminal

Weidmuller SAK EN series

Indicator

Red

Degree of protection

IP66

Ambient temperature

-20°C~+55°C

Cable entries

Standard M□ x 1.5 plug (see the Selection Table on P6/24)

Cable gland (optional)

DQM-I (Ex e) is recommended. Please see P7/16

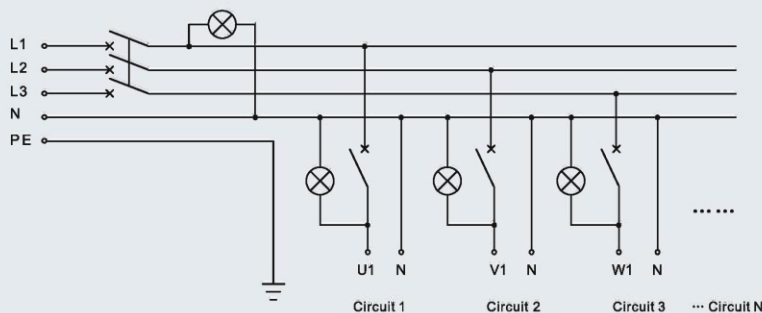
Entry direction

Bottom

Mounting

Surface type (standard)

Electrical schematic diagram



BXM8050 series explosion-proof illumination distribution boxes

Selection table of BXM8050 series explosion-proof illumination distribution boxes

Type	Description					Terminal	Cable entries
	Main switch	Sub-circuit number	Sub-circuit switch	Sub-circuit current	Indicator number		
BXM8050-4/□/K/□	BL8060	4	BL8060 1P/2P	1A 2A 4A 6A 10A 16A 20A 25A 32A On request	1+4	Incoming 3 x SAK35EN+1N+1PE Outgoing 4 x SAK4EN+4N+4PE	1 x M40 x 1.5 + 4 x M25 x 1.5
BXM8050-6/□/K/□		6			1+6	Incoming 3 x SAK35EN+1N+1PE Outgoing 6 x SAK4EN+6N+6PE	1 x M40 x 1.5 + 6 x M25 x 1.5
BXM8050-8/□/K/□		8			1+8	Incoming 3 x SAK35EN+1N+1PE Outgoing 8 x SAK4EN+8N+8PE	1 x M40 x 1.5 + 8 x M25 x 1.5
BXM8050-10/□/K/□		10			1+10	Incoming 3 x SAK35EN+1N+1PE Outgoing 10 x SAK4EN+10N+10PE	1 x M40 x 1.5 + 10 x M25 x 1.5
BXM8050-12/□/K/□		12			1+12	Incoming 3 x SAK35EN+1N+1PE Outgoing 12 x SAK4EN+12N+12PE	1 x M40 x 1.5 + 12 x M25 x 1.5
BXM8050-4/□	—	4	BL8060 1P/2P	1A 2A 4A 6A 10A 16A 20A 25A 32A On request	4	Incoming 3 x SAK35EN+1N+1PE Outgoing 4 x SAK4EN+4N+4PE	1 x M40 x 1.5 + 4 x M25 x 1.5
BXM8050-6/□		6			6	Incoming 3 x SAK35EN+1N+1PE Outgoing 6 x SAK4EN+6N+6PE	1 x M40 x 1.5 + 6 x M25 x 1.5
BXM8050-8/□		8			8	Incoming 3 x SAK35EN+1N+1PE Outgoing 8 x SAK4EN+8N+8PE	1 x M40 x 1.5 + 8 x M25 x 1.5
BXM8050-10/□		10			10	Incoming 3 x SAK35EN+1N+1PE Outgoing 10 x SAK4EN+10N+10PE	1 x M40x 1.5 + 10 x M25 x 1.5
BXM8050-12/□		12			12	Incoming 3 x SAK35EN+1N+1PE Outgoing 12 x SAK4EN+12N+12PE	1 x M40 x 1.5 + 12 x M25 x 1.5

Note

1. Please specify the number and size of cable entries and sides of the enclosure to be fitted;
2. Single line drawing (SLD) shall be provided by user. Photocell, timer, AC contactor, thermal relay or others on request;
3. Please specify mounting type when ordering;
4. Rainproof canopy on request.

Technical data

Explosion-proof power distribution boxes BXD8050-□/□/□/□

Explosion protection

Gas explosion protection

⊕ II 2 G Ex de IIC T6 Gb

Dust explosion protection

⊕ II 2 D Ex tb IIIC T80°C Db IP66

Certificates

DNV 13 ATEX ____; IECEX; PCEC(China)

Conformity to standards

EN 60079-0:2009, EN 60079-1:2007, EN 60079-7:2007, EN 60079-31:2009
IEC 60079-0:2011, IEC 60079-1:2007, IEC 60079-7:2006, IEC 60079-31:2008

General power supply

Rated voltage: Max.690V AC 50/60Hz; Rated current: max.250A

Sub circuit current

1A, 2A, 4A, 6A, 10A, 16A, 20A, 25A, 32A, 40A, 50A, 63A

Exposed fastener

Stainless steel

Enclosure

Enclosure material

GRP (glass fibre-reinforced polyester resin)

Enclosure colour

Black

Enclosure type

Ex e

Built-in components

Main switch

BL8060 Please see P6/28

Note: electric leakage protection on request

Sub circuit switch

BL8060 Please see P6/28

Note: electric leakage protection on request

Terminal

Weidmuller SAK EN series

Indicator

Red

Degree of protection

IP66

Ambient temperature

-20°C~+55°C

Cable entries

Standard M□ x 1.5 plug (see the Selection Table on P6/26)

Cable gland (optional)

DQM-I (Ex e) is recommended. Please see P7/16

Entry direction

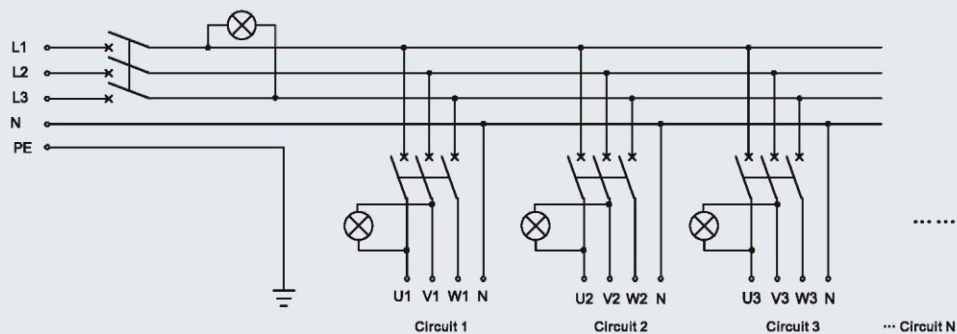
Bottom

Mounting

Surface type (standard)



Electric schematic diagram



BXD8050 series explosion-proof power distribution boxes

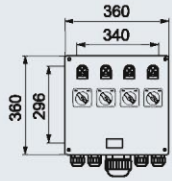
Selection table of BXD8050 series explosion-proof power distribution boxes

Type	Description					Terminal	Cable entries			
	Main switch	Sub-circuit number	Sub-circuit switch	Sub-circuit current	Indicator number					
BXD8050-4/□/K/□	BL8060 Current: max. 250A	4	BL8060 3P	1A	1+4	Incoming 3 x SAK70/35EN+1N+1PE Outgoing 12 x SAK10EN+4N+4PE	1 x M50 x 1.5 + 4 x M25 x 1.5			
BXD8050-6/□/K/□		6		4A		1+6	Incoming 3 x SAK70/35EN+1N+1PE Outgoing 18 x SAK10EN+6N+6PE	1 x M50 x 1.5 + 6 x M25 x 1.5		
BXD8050-8/□/K/□		8		16A			1+8	Incoming 3 x SAK70/35EN+1N+1PE Outgoing 24 x SAK10EN+8N+8PE	1 x M50 x 1.5 + 8 x M25 x 1.5	
BXD8050-10/□/K/□		10		20A				1+10	Incoming 3 x SAK70/35EN+1N+1PE Outgoing 30 x SAK10EN+10N+10PE	1 x M50 x 1.5 + 10 x M25 x 1.5
BXD8050-12/□/K/□		12		25A					1+12	Incoming 3 x SAK70/35EN+1N+1PE Outgoing 36 x SAK10EN+12N+12PE
		32A								
		40A								
		50A								
		63A								
		On request								
BXD8050-4/□	—	4	BL8060 3P	1A	4	Incoming 3 x SAK70/35EN+1N+1PE Outgoing 12 x SAK10EN+4N+4PE	1 x M50 x 1.5 + 4 x M25 x 1.5			
BXD8050-6/□		6		4A		6	Incoming 3 x SAK70/35EN+1N+1PE Outgoing 18 x SAK10EN+6N+6PE	1 x M50 x 1.5 + 6 x M25 x 1.5		
BXD8050-8/□		8		16A			8	Incoming 3 x SAK70/35EN+1N+1PE Outgoing 24 x SAK10EN+8N+8PE	1 x M50 x 1.5 + 8 x M25 x 1.5	
BXD8050-10/□		10		20A				10	Incoming 3 x SAK70/35EN+1N+1PE Outgoing 30 x SAK10EN+10N+10PE	1 x M50 x 1.5 + 10 x M25 x 1.5
BXD8050-12/□		12		25A					12	Incoming 3 x SAK70/35EN+1N+1PE Outgoing 36 x SAK10EN+12N+12PE
		32A								
		40A								
		50A								
		63A								
		On request								

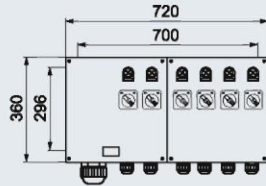
Note

1. Please specify the number and size of cable entries and sides of the enclosure to be fitted;
2. Single line drawing (SLD) shall be provided by user. Photocell, timer, AC contactor, thermal relay or others on request;
3. Please specify mounting type when ordering;
4. Rainproof canopy on request.

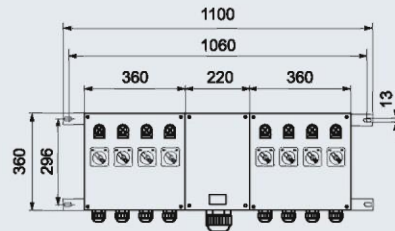
Dimension drawings (all dimensions in mm) - subject to alteration



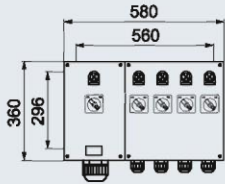
BXM(D)8050-4



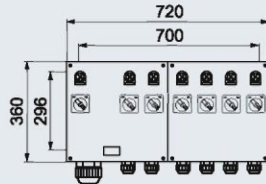
BXM(D)8050-6



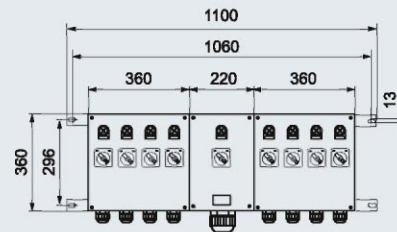
BXM(D)8050-8



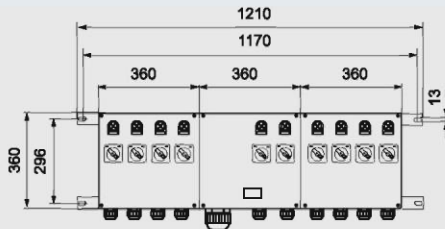
BXM(D)8050-4/K



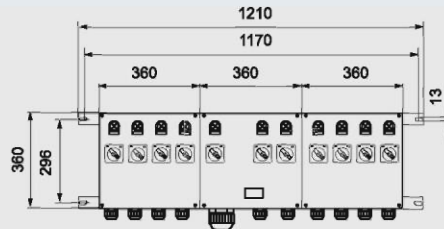
BXM(D)8050-6/K



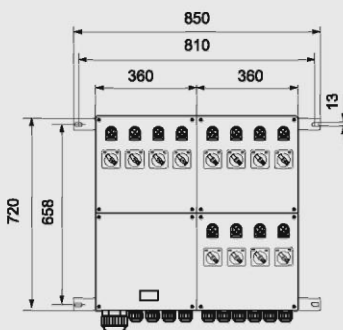
BXM(D)8050-8/K



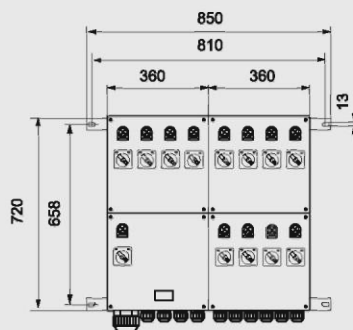
BXM(D)8050-10



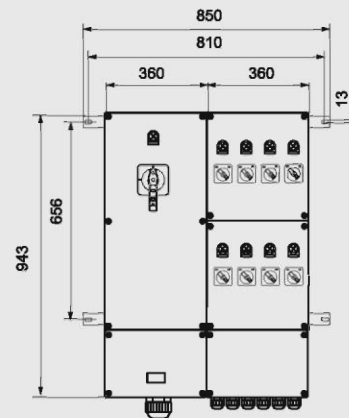
BXM(D)8050-10/K



BXM(D)8050-12



BXM(D)8050-12/K



BXM(D)8050-8/K
(Main switch 125A-250A)