

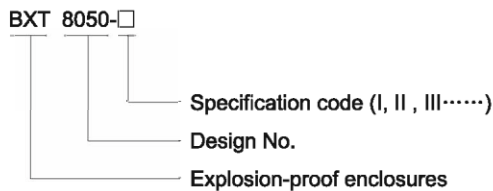


Empty Enclosures

BXT8050 Series Explosion-proof Enclosures (Ex e)

- ◆ Explosion protection to
 - CENELEC
 - IEC
 - NEC
- ◆ Can be used in
 - Zone 1 and Zone 2
 - Class I, Zone 1 and Zone 2
 - Class I, Division 2, Groups A, B, C, D
- ◆ Increased-safety enclosure (Ex e) in GRP; 7 types.
- ◆ Cable entries can be drilled and components can be installed by user on request.
- ◆ Safety shall be considered when installing components according to related electrical standards.
- ◆ Special requirements on request.

Catalogue number logic

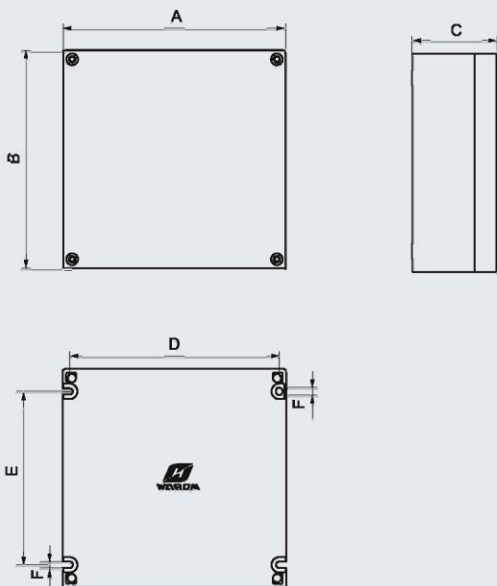


Technical data

Explosion-proof enclosures	BXT8050-□
Explosion protection	Ex II 2 G Ex e II
Certificates	LCIE 09 ATEX 3095U
Conformity to standards	EN 60079-0:2006, EN 60079-7:2007 IEC 60079-0:2004, IEC 60079-7:2006
Degree of protection	IP65
Ambient temperature	-20°C~+60°C
Enclosure material	GRP (glass fibre-reinforced polyester resin)
Exposed fastener	Stainless steel

Zones 1&2

Selection table of BXT8050 series explosion-proof enclosures (all dimensions in mm)



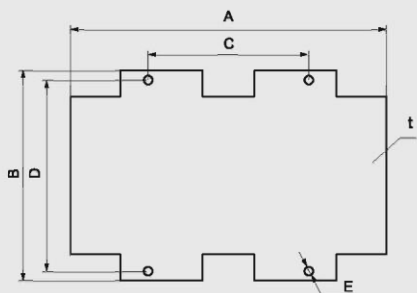
Outline & Installation

Type	Outline dimensions			Installation dimensions		
	A	B	C	D	E	F
BXT8050-I	110	139	98	96	91	6.5
BXT8050-II	130	220	109	116	172	6.5
BXT8050-III	179	260	121	163	200	7
BXT8050-IV	220	360	121	200	296	9
BXT8050-V	360	360	121	340	260	9
BXT8050-VI	220	220	121	200	156	9
BXT8050-VII	360	721	171	340	656	9



Internal

Type	Dimensions			Weight (kg)
	A	B	C	
BXT8050-I	67	74	81	0.80
BXT8050-II	94	148	90	1.30
BXT8050-III	130	174	102	2.10
BXT8050-IV	169	266	102	3.25
BXT8050-V	266	309	102	4.15
BXT8050-VI	126	208	102	2.05
BXT8050-VII	300	621	102	8.40



Mounting plate

Type	Dimensions					
	A	B	C	D	E	t
BXT8050-I	123	94	100	-	Φ6	2
BXT8050-II	204	114	190	-	Φ7	2
BXT8050-III	240	159	122	145	Φ7	2
BXT8050-IV	322	188	282	142	Φ7	2
BXT8050-V	332	316	282	282	Φ7	2
BXT8050-VI	175	175	142	142	Φ7	2
BXT8050-VII	667	296	643	282	Φ7	2