

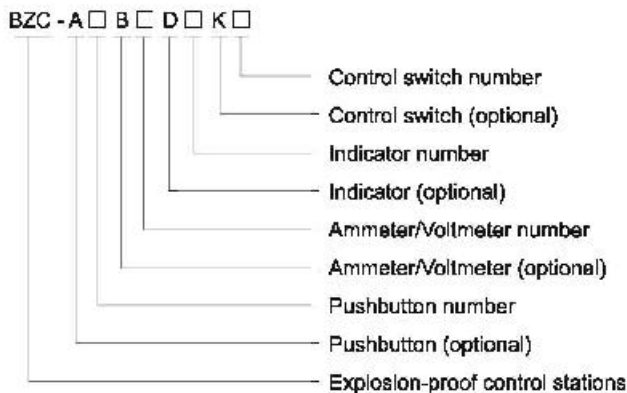


Control Stations (Ex d IIB)

BZC Series Explosion-proof Control Stations

- ◆ Explosion protection to
 - CENELEC
 - IEC
 - NEC
- ◆ Can be used in
 - Zone 1 and Zone 2
 - Zone 21 and Zone 22
 - Class I, Zone 1 and Zone 2
 - Class I, Division 1, Groups C, D
- ◆ Copper-free aluminium enclosure; powder coated surface.
- ◆ Six types of enclosure .

■ Catalogue number logic



■ Note

1. Please refer to the Selection Table on P4/5.
2. Please select internal components as below:
 - HA pushbutton selection table on P4/12~13 (Nominal contact is 1NO+1NC);
 - HD indicator selection table on P4/14~15;
 - HK control switch selection table on P4/16~19;
 - BB8050 explosion-proof ammeter/voltmeter selection table on P4/49~51;
3. Example: BZC-A2B1K1
 - Components: Two pushbuttons, one ammeter, one control switch ;
 - Tech. Details: One start pushbutton (40036B-1 + 40033-1, green, 1NO+1NC);
 - One stop pushbutton (40036A-1 + 40033-1, red, 1NO+1NC);
 - One ammeter (40139, 100/5A);
 - One control switch (Function A, stop-run-start);
4. Special requirements on request.



Zones 1&2; 21&22

Control station BZC (Ex d IIB) selection table

Enclosure type	Components arrangement	Cable entries and direction	Ordering code	Enclosure weight (kg)
I		2-M25 x 1.5 Bottom entry	40017.....	8.00
II		1-M32 x 1.5 or 2-M25 x 1.5 Bottom entry	40018.....	9.10
III		1-M32 x 1.5 or 3-M25 x 1.5 Bottom entry	40019.....	10.20
IV		1-M40 x 1.5 or 2-M32 x 1.5 or 4-M25 x 1.5 Bottom entry	40020.....	15.90
V		1-M40 x 1.5 or 4-M32 x 1.5 or 6-M25 x 1.5 Bottom entry	40021.....	27.50
VI		1-M40 x 1.5 or 4-M32 x 1.5 or 6-M25 x 1.5 Bottom entry	40022.....	40.00

