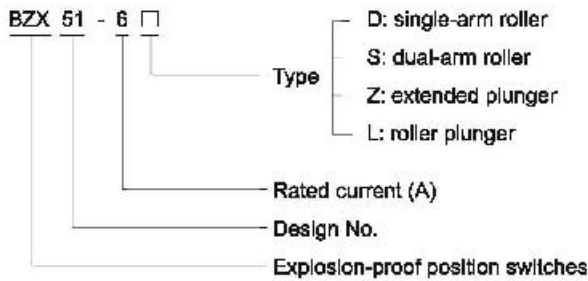


Position Switches

BZX51-6 Series Explosion-proof Position Switches

- ◆ Explosion protection to
 - CENELEC
 - IEC
- ◆ Can be used in
 - Zone 1 and Zone 2
 - Zone 21 and Zone 22
- ◆ Types: D, S, Z, L.
- ◆ Increased safety enclosure with explosion-proof components.
- ◆ Copper-free aluminium enclosure; powder coated surface.

■ Catalogue number logic



Selection table

Type	Rated voltage (V)	Rated current (A)	Type of contact	Ordering code	Weight (kg)
BZX51-6D	250	6	1NO+1NC	40001	0.35
	250	6	2NO	40002	0.35
	250	6	2NC	40003	0.35
BZX51-6S	250	6	1NO+1NC	40004	0.35
	250	6	2NO	40005	0.35
	250	6	2NC	40006	0.35
BZX51-6Z	250	6	1NO+1NC	40007	0.25
	250	6	2NO	40008	0.25
	250	6	2NC	40009	0.25
BZX51-6L	250	6	1NO+1NC	40010	0.30
	250	6	2NO	40011	0.30
	250	6	2NC	40012	0.30

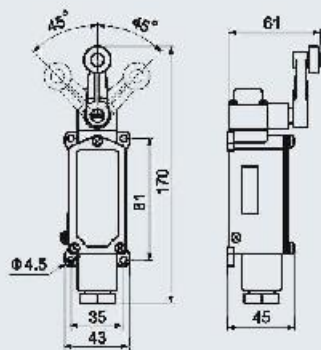
Zones 1&2; 21&22

Technical data

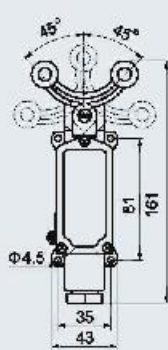
Explosion-proof position switches BZX51-6□

Explosion protection	Gas explosion protection: $\text{Ex II 2 G Ex de IIC T6 Gb}$ Dust explosion protection: $\text{Ex II 2 D Ex tb III C T80°C Db IP65}$			
Certificates	DNV 13 ATEX____; IECEx; PCEC (China)			
Conformity to standards	EN 60078-0:2009, EN 60078-1:2007, EN 60079-7:2007, EN 60079-31:2009 IEC 60079-0:2011, IEC 60079-1:2007, IEC 60079-7:2006, IEC 60079-31:2008			
Enclosure material	Copper-free aluminium; powder coated surface			
Enclosure colour	Window grey (RAL7040)			
Exposed fastener	Stainless steel			
Switch	BZX-6			
Type of contact	Ex-mark: $\text{Ex II 2 G Ex de IIC T6}$ 1NO+1NC, 2NO, 2NC			
Swing angle or distance of roller arm	BZX51-6D	BZX51-6S	BZX51-6Z	BZX51-6L
	45°	45°	4mm	4mm
Rated voltage	Max. 250V AC			
Rated current	6A			
Degree of protection	IP65			
Ambient temperature	-20°C~+55°C			
Cable entries	1 x G1/2"			
Available cable outer diameter	Φ6.5~Φ9(mm)			

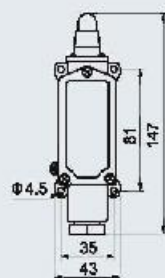
Dimension drawings (all dimensions in mm) - subject to alteration



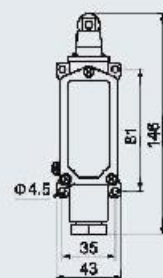
BZX51-6D



BZX51-6S



BZX51-6Z



BZX51-6L

