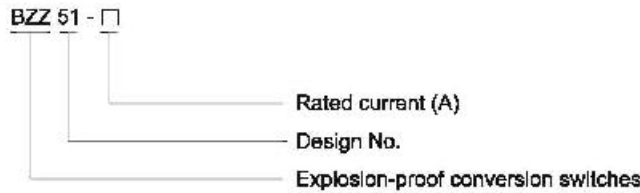


Installation Switches

BZZ51 Series Explosion-proof Conversion Switches

- ◆ Explosion protection to
 - CENELEC
 - IEC
- ◆ Can be used in
 - Zone 1 and Zone 2
- ◆ Available current rating 10A or 25A.
- ◆ Copper-free aluminium enclosure; powder coated surface.
- ◆ One gear per 90° , loop operation.

■ Catalogue number logic



Selection table

Type/Ordering code	Chart of contact	Corresponding switch	Weight (kg)																														
BZZ51-10	<table border="1"> <tr> <td></td> <td>0</td> <td>1</td> <td>0</td> <td>1</td> <td></td> </tr> <tr> <td></td> <td>0°</td> <td>90°</td> <td>180°</td> <td>270°</td> <td></td> </tr> <tr> <td>1a</td> <td></td> <td>x</td> <td></td> <td>x</td> <td>o2</td> </tr> <tr> <td>3a</td> <td></td> <td>x</td> <td></td> <td>x</td> <td>o4</td> </tr> <tr> <td>5a</td> <td></td> <td>x</td> <td></td> <td>x</td> <td>o6</td> </tr> </table>		0	1	0	1			0°	90°	180°	270°		1a		x		x	o2	3a		x		x	o4	5a		x		x	o6		1.50
	0	1	0	1																													
	0°	90°	180°	270°																													
1a		x		x	o2																												
3a		x		x	o4																												
5a		x		x	o6																												
BZZ51-25	<table border="1"> <tr> <td></td> <td>0</td> <td>1</td> <td>0</td> <td>1</td> <td></td> </tr> <tr> <td></td> <td>0°</td> <td>90°</td> <td>180°</td> <td>270°</td> <td></td> </tr> <tr> <td>1a</td> <td></td> <td>x</td> <td></td> <td>x</td> <td>o2</td> </tr> <tr> <td>3a</td> <td></td> <td>x</td> <td></td> <td>x</td> <td>o4</td> </tr> <tr> <td>5a</td> <td></td> <td>x</td> <td></td> <td>x</td> <td>o6</td> </tr> </table>		0	1	0	1			0°	90°	180°	270°		1a		x		x	o2	3a		x		x	o4	5a		x		x	o6		2.70
	0	1	0	1																													
	0°	90°	180°	270°																													
1a		x		x	o2																												
3a		x		x	o4																												
5a		x		x	o6																												

Spare parts

Built-in switch	Rated voltage/current	Ordering code	Weight (kg)
	415V/10A	30005	0.15
	415V/25A	30008	0.40

Zones 1&2

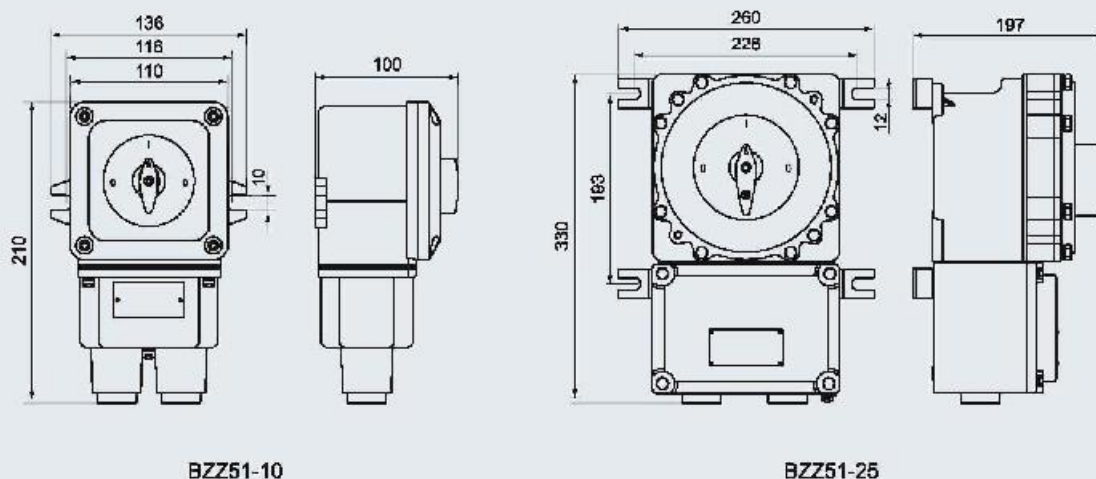
Technical data

Explosion-proof conversion switches BZZ51-10, BZZ51-25

Explosion protection	⊕ II 2 G Ex de IIB T6		
Certificates	LCIE 06 ATEX 6021; IECEx LCI 08. 0008		
Conformity to standards	EN 60079-0:2004, EN 60079-1:2004, EN 60079-7:2003 IEC 60079-0:2004, IEC 60079-1:2003, IEC 60079-7:2001		
Enclosure material	Copper-free aluminium; powder coated surface		
Enclosure colour	Window grey (RAL7040)		
Switch	Low-power on-off switch		
Pole number	3 Poles		
Exposed fastener	Stainless steel		
Rated voltage	Max. 415V AC		
Rated current	10A, 25A		
Switch capacity		BZZ51-10	BZZ51-25
		AC 3, AC 23	AC 3, AC 23
	U _e	P	P
	230~	3.0kW	5.0kW
	380~	5.0kW	8.0kW
	415~	5.0kW	8.0kW
Degree of protection	IP54 (IP65 with canopy)		
Ambient temperature	-20°C~+55°C		
Cable connection	4 x (1.5~2.5)mm ² (10A), 4 x (4~6)mm ² (25A)		
Cable entries	BZZ51-10: Standard 2 x G3/4" plug; M25 x 1.5 or NPT3/4" (with reducer) on request BZZ51-25: Standard 2 x M32 x 1.5 plug; G1" or NPT1" (with reducer) on request		
Cable gland(optional)	DQM-I (Ex e) is recommended. Please see P7/17~19.		



Dimension drawings (all dimensions in mm) - subject to alteration



BZZ51-10

BZZ51-25