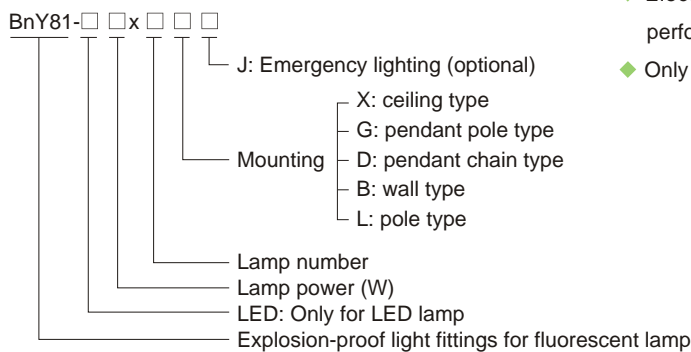




Light Fittings for Fluorescent Lamp BnY81 Series Explosion-proof Light Fittings for Fluorescent Lamp

- ◆ Explosion protection to
 - CENELEC
 - IEC
 - NEC
- ◆ Can be used in
 - Zone 2
 - Zone 21 and Zone 22
- ◆ Six enclosure types:
 - Single tube: three enclosure types
 - Dual tube: three enclosure types
- ◆ Applicable lamp power:
 - Fluorescent lamps: 18W x 1, 18W x 2, 36W x 1
36W x 2, 58W x 1, 58W x 2
 - LED lamps: 9W x 1, 9W x 2, 18W x 1, 18W x 2
25W x 1, 25W x 2
- ◆ Electronic ballast, wide voltage range, rapid starting, stable performance, power factor ≥ 0.95 .
- ◆ Only dual tube light fittings with emergency lighting function.

Catalogue number logic



Selection table

Type/ Ordering code	Lamp power (W)	Weight (kg)	Type/ Ordering code	Lamp power (W)	Weight (kg)	Type/ Ordering code	Lamp power (W)	Weight (kg)
BnY81-18 x 1X	18 x 1	2.70	BnY81-36 x 1X	36 x 1	3.90	BnY81-58 x 1X	58 x 1	4.60
BnY81-18 x 1G	18 x 1	2.50	BnY81-36 x 1G	36 x 1	4.00	BnY81-58 x 1G	58 x 1	4.80
BnY81-18 x 1D	18 x 1	2.80	BnY81-36 x 1D	36 x 1	4.10	BnY81-58 x 1D	58 x 1	4.90
BnY81-18 x 1B	18 x 1	3.30	BnY81-36 x 1B	36 x 1	4.60	BnY81-58 x 1B	58 x 1	5.50
BnY81-18 x 1L	18 x 1	2.60	BnY81-36 x 1L	36 x 1	4.00	BnY81-58 x 1L	58 x 1	4.80
BnY81-18 x 2X	18 x 2	2.70	BnY81-36 x 2X	36 x 2	4.50	BnY81-58 x 2X	58 x 2	5.40
BnY81-18 x 2G	18 x 2	2.80	BnY81-36 x 2G	36 x 2	4.20	BnY81-58 x 2G	58 x 2	5.00
BnY81-18 x 2D	18 x 2	2.90	BnY81-36 x 2D	36 x 2	4.30	BnY81-58 x 2D	58 x 2	5.15
BnY81-18 x 2B	18 x 2	3.40	BnY81-36 x 2B	36 x 2	4.80	BnY81-58 x 2B	58 x 2	5.75
BnY81-18 x 2L	18 x 2	2.70	BnY81-36 x 2L	36 x 2	4.10	BnY81-58 x 2L	58 x 2	4.90

Note: 1. Products above include all the mounting accessories listed in Mounting Accessories & Spare Parts Table (see P2/25).
2. BnY81-LED25 x 2 □ weight of corresponding lamp in the table increases 0.4kg, weight of other LED lamps is the same as that of corresponding lamps in the table.

Zones 2; 21&22

Light Fittings for Fluorescent Lamp

BnY81 Series Explosion-proof Light Fittings for Fluorescent Lamp

Technical data

Explosion-proof light fittings for fluorescent lamp BnY81-□□x□ □

Explosion protection

- Gas explosion protection
- Dust explosion protection

⊕ II 3 G Ex nA IIC T4 Gc
 ⊕ II 2 D Ex t IIIC T80°C Db IP66

Certificates

LCIE 12 ATEX____; FM (USA); GOST.R (Russia); IECEx

Conformity to standards

EN 60079-0: 2009, EN 60079-15: 2010, EN 60079-31: 2009
 IEC 60079-0: 2007, IEC 60079-15: 2010, IEC 60079-31: 2008

Material

- Enclosure
- Diffuser
- Ballast
- Exposed fastener

Polycarbonate, stands 7J impact, corrosion-proof
 Polycarbonate, 90% light transmission, stands 7J impact, corrosion-proof
 Electronic ballast
 Stainless steel

Lamp

- Lamp brand
- Lamp power (W)

PHILIPS T8 (supplied with the light fittings)		CREE plural white LED modules (supplied with the light fittings)	
18W×1	18W×2	9W×1	9W×2
36W×1	36W×2	18W×1	18W×2
58W×1	58W×2	25W×1	25W×2

Rated voltage

100~300V AC 50/60Hz (LED:110~265V AC 50/60Hz)

Degree of protection

IP66

Ambient temperature

-20°C ~ +55°C

Terminal

3 x 1.5~4mm² (L+N+PE)

Mounting

Ceiling type, pendant pole type, pendant chain type, wall type, pole type

Cable entries

2 x Φ21: 2 x M20 x 1.5 cable gland (DQM-I Ex e, plastic)

Available cable outer diameter

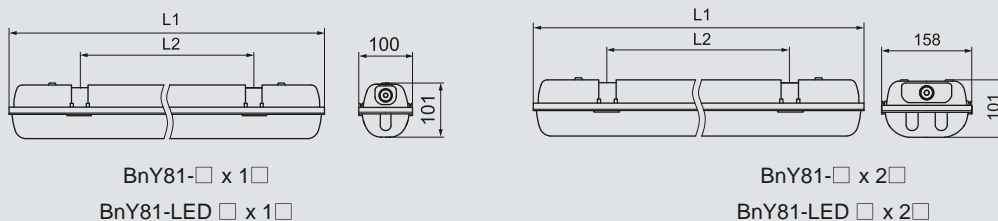
Φ6~Φ12 (mm)



Dimensions

Type	Size (mm)		Type	Size (mm)	
	L1	L2		L1	L2
BnY81-18x1□, BnY81-LED 9x1□	658	400	BnY81-18x2□, BnY81-LED 9x2□	658	400
BnY81-36x1□, BnY81-LED 18x1□	1268	900	BnY81-36x2□, BnY81-LED 18x2□	1268	900
BnY81-56x1□, BnY81-LED 25x1□	1568	900	BnY81-56x2□, BnY81-LED 25x2□	1568	900

Dimension drawings (all dimensions in mm) - subject to alteration



Light Fittings for Fluorescent Lamp BnY81 Series Explosion-proof Light Fittings for Fluorescent Lamp

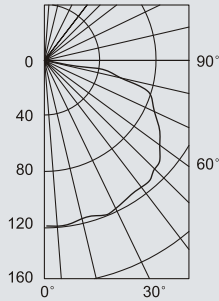
Photometric data

18W x 1 photometric data

Rated luminous flux:1050lm;

The data from PHILIPS lamp;

Luminous intensity distribution cd/1000lm



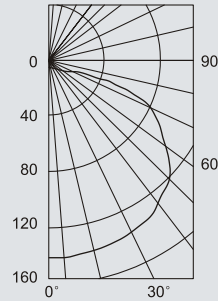
Angle	CP	Angle	CP
0	132	50	112
5	128	55	105
10	130	60	96
15	128	65	87
20	132	70	76
25	135	75	65
30	140	80	48
35	124	85	0
40	120	90	0
45	115		

18W x 2 photometric data

Rated luminous flux:2100lm;

The data from PHILIPS lamp;

Luminous intensity distribution cd/1000lm



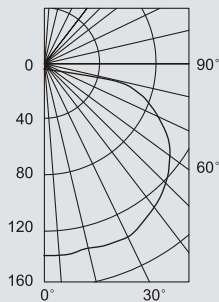
Angle	CP	Angle	CP
0	252	50	214
5	251	55	200
10	247	60	184
15	252	65	172
20	262	70	163
25	264	75	134
30	265	80	85
35	266	85	0
40	258	90	0
45	238		

36W x 1 photometric data

Rated luminous flux:2500lm;

The data from PHILIPS lamp;

Luminous intensity distribution cd/1000lm



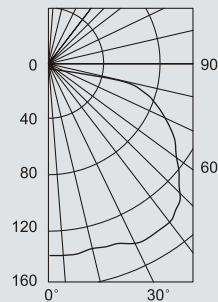
Angle	CP	Angle	CP
0	336	50	297
5	337	55	278
10	338	60	253
15	345	65	230
20	355	70	210
25	362	75	178
30	358	80	140
35	361	85	0
40	352	90	0
45	328		

36W x 2 photometric data

Rated luminous flux:5000lm;

The data from PHILIPS lamp;

Luminous intensity distribution cd/1000lm



Angle	CP	Angle	CP
0	672	50	594
5	674	55	550
10	676	60	505
15	686	65	454
20	700	70	415
25	713	75	355
30	715	80	277
35	720	85	0
40	701	90	0
45	657		

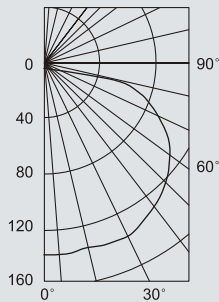


58W x 1 photometric data

Rated luminous flux:4000lm;

The data from PHILIPS lamp;

Luminous intensity distribution cd/1000lm



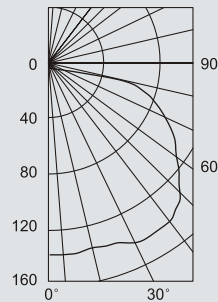
Angle	CP	Angle	CP
0	537	50	445
5	539	55	417
10	540	60	387
15	552	65	345
20	568	70	315
25	580	75	267
30	572	80	210
35	577	85	0
40	564	90	0
45	525		

58W x 2 photometric data

Rated luminous flux:8000lm;

The data from PHILIPS lamp;

Luminous intensity distribution cd/1000lm



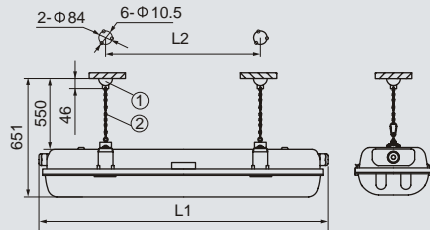
Angle	CP	Angle	CP
0	1075	50	950
5	1078	55	880
10	1082	60	808
15	1092	65	726
20	1120	70	664
25	1140	75	568
30	1144	80	360
35	1152	85	0
40	1121	90	0
45	1052		

We can provide lighting design and data by professional lighting software DIALUX based upon simulated site situation on request.

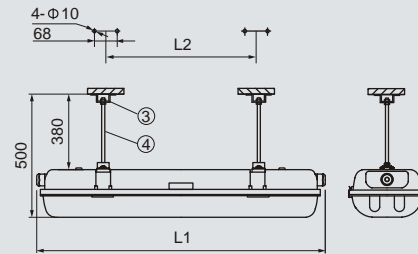
Mounting type (all dimensions in mm) - subject to alteration

Installation reference

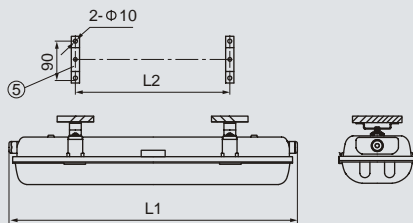
D: pendant chain type



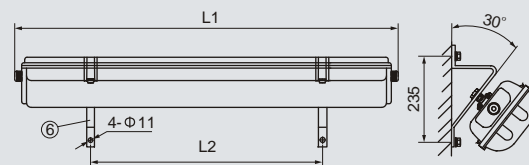
G: pendant pole type



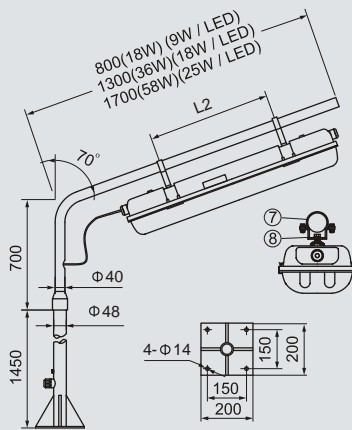
X: ceiling type



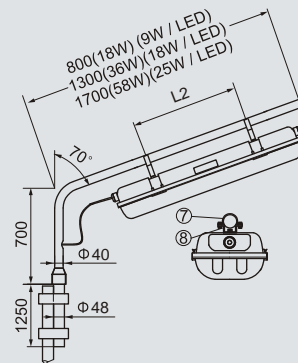
B: wall type



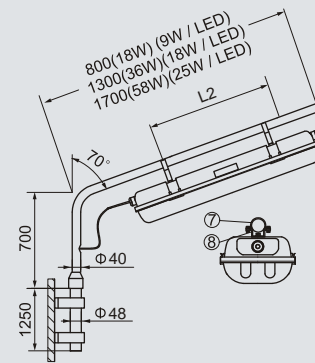
L: pole type (the pole is provided by user)



Suitable for ground pole type



Suitable for fence pole type



Suitable for wall pole type



Mounting accessories and spare parts table

Supplied according to the mounting type

Mounting type	Accessories			Ordering code	Weight (kg)
	Name	Qty	Illustration		
D: pendant chain type	①.Sucker	2	See P2/6	5136017	0.15
	②.Chain	2	Length: 450mm	5136016	0.08
G: pendant pole type	③.Mounting bracket	2	See P2/18	51S01G1	0.04
	④.M8 Screw	2	Length: 350mm	51S01G2	0.12
X: ceiling type	⑤.Mounting bracket	2	See P2/6	5136030	0.05
B: wall type	⑥.Wall bracket	2	Welded sheet steel	5236B02	0.25
L: pole type	⑦.G1 1/4" Pipe clamp	2	See P2/7	5136014	0.04
	⑧.Mounting bracket	2	See P2/7	5136012	0.04

Note: Accessories not in the table shall be supplied by user.